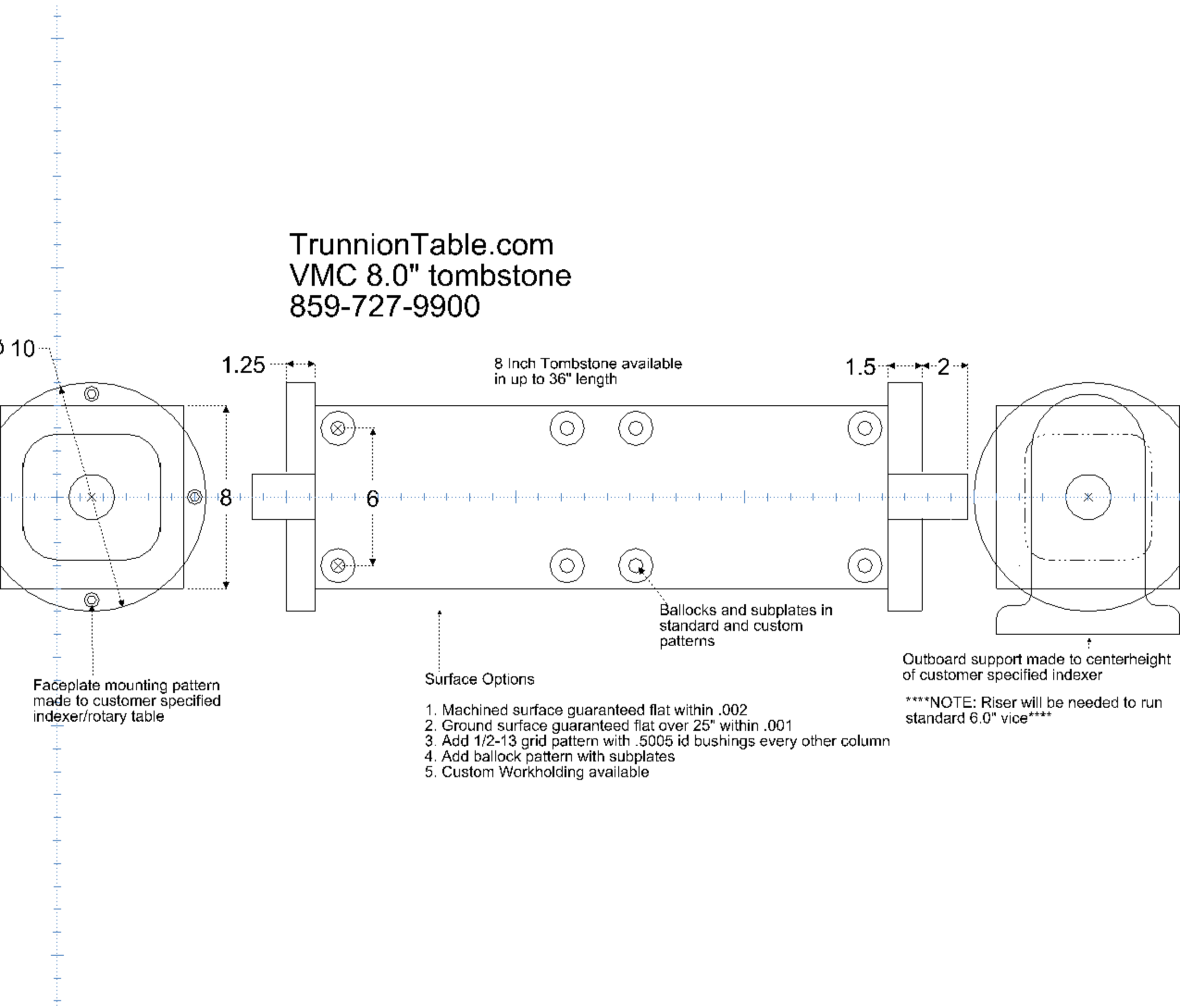


TrunnionTable.com
 VMC 8.0" tombstone
 859-727-9900



Faceplate mounting pattern made to customer specified indexer/rotary table

8 Inch Tombstone available in up to 36" length

Ballocks and subplates in standard and custom patterns

Surface Options

1. Machined surface guaranteed flat within .002
2. Ground surface guaranteed flat over 25" within .001
3. Add 1/2-13 grid pattern with .5005 id bushings every other column
4. Add ballock pattern with subplates
5. Custom Workholding available

Outboard support made to centerheight of customer specified indexer

****NOTE: Riser will be needed to run standard 6.0" vice****