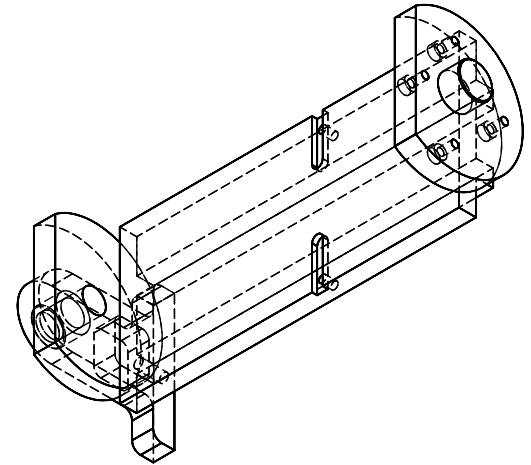
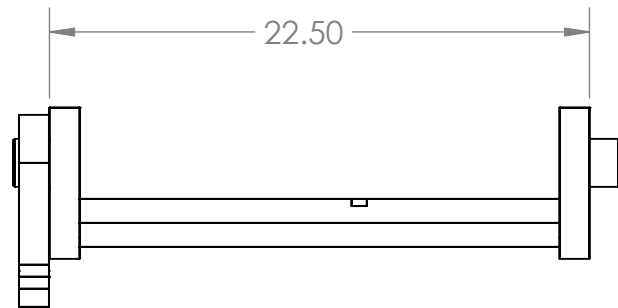
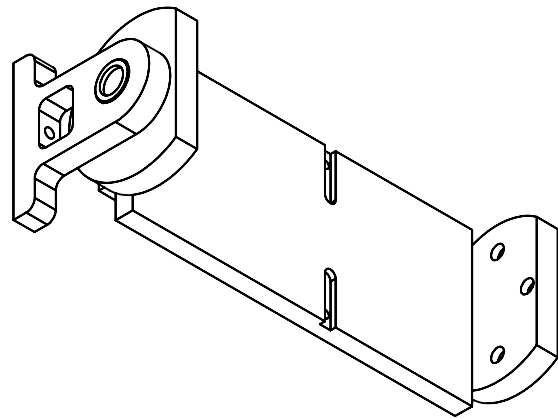


Centerheight made to customer rotary table



PROPRIETARY AND CONFIDENTIAL
 THE INFORMATION CONTAINED IN THIS DRAWING IS THE SOLE PROPERTY OF <INSERT COMPANY NAME HERE>. ANY REPRODUCTION IN PART OR AS A WHOLE WITHOUT THE WRITTEN PERMISSION OF <INSERT COMPANY NAME HERE> IS PROHIBITED.

		UNLESS OTHERWISE SPECIFIED:		NAME	DATE	TITLE: Martin Mfg. TrunnionTable.com 602 Main St. Elsmere, Ky 41018 859-727-9900
		DIMENSIONS ARE IN INCHES	DRAWN			
		TOLERANCES: FRACTIONAL ± ANGULAR: MACH ± BEND ± TWO PLACE DECIMAL ± THREE PLACE DECIMAL ±	CHECKED			
		INTERPRET GEOMETRIC TOLERANCING PER:	ENG APPR.			
		MATERIAL	MFG APPR.			SIZE DWG. NO. REV Stallion 9 x 20 SW
NEXT ASSY	USED ON	FINISH	Q.A.			
APPLICATION		DO NOT SCALE DRAWING	COMMENTS:			SCALE: 1:8 WEIGHT: SHEET 1 OF 1