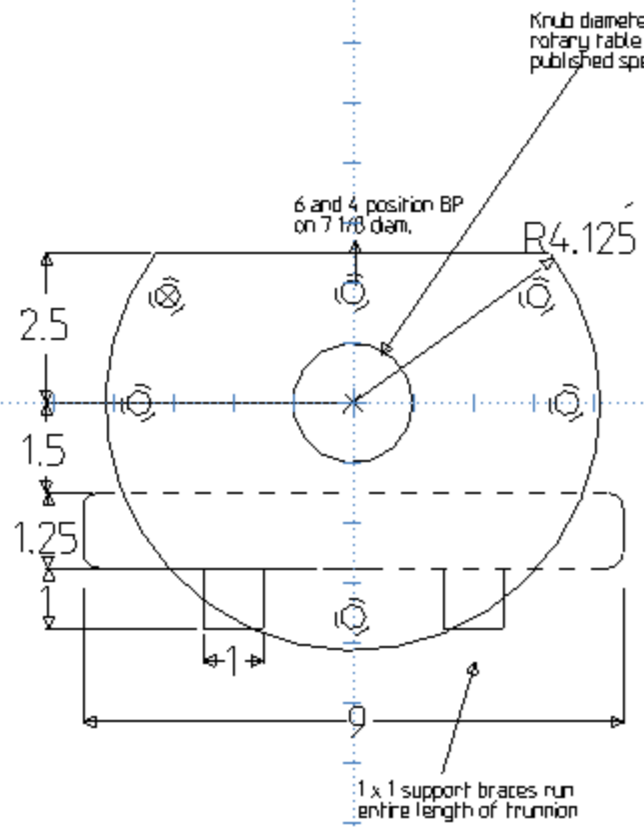
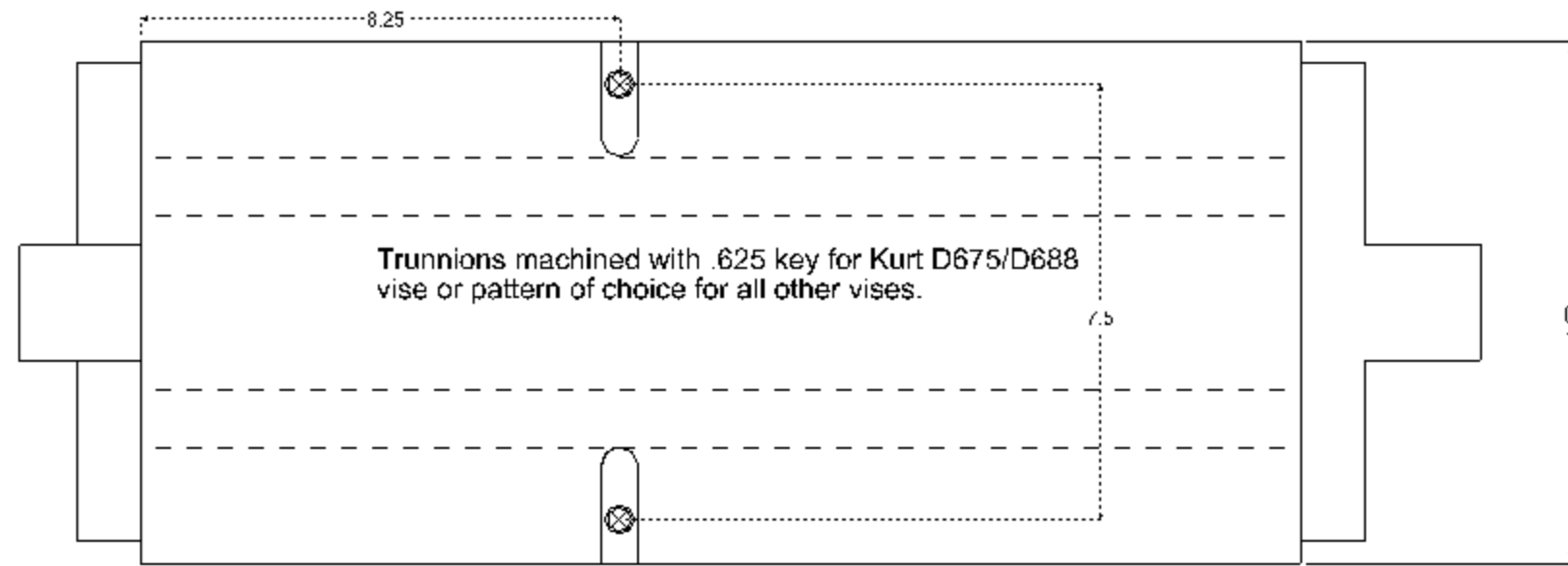


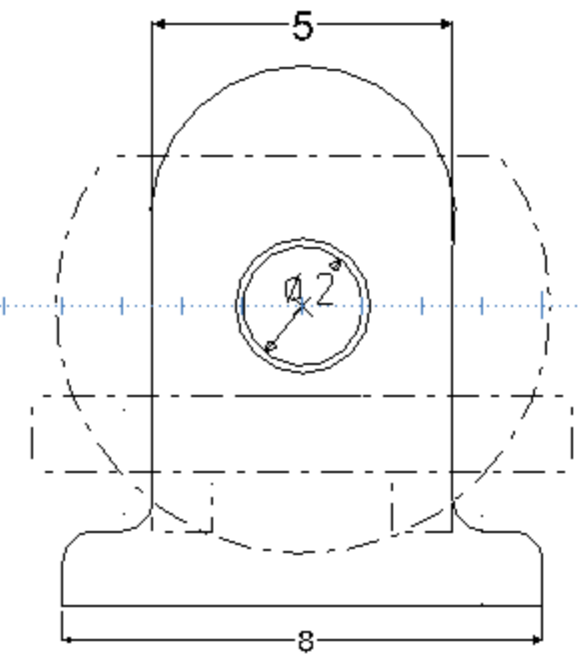
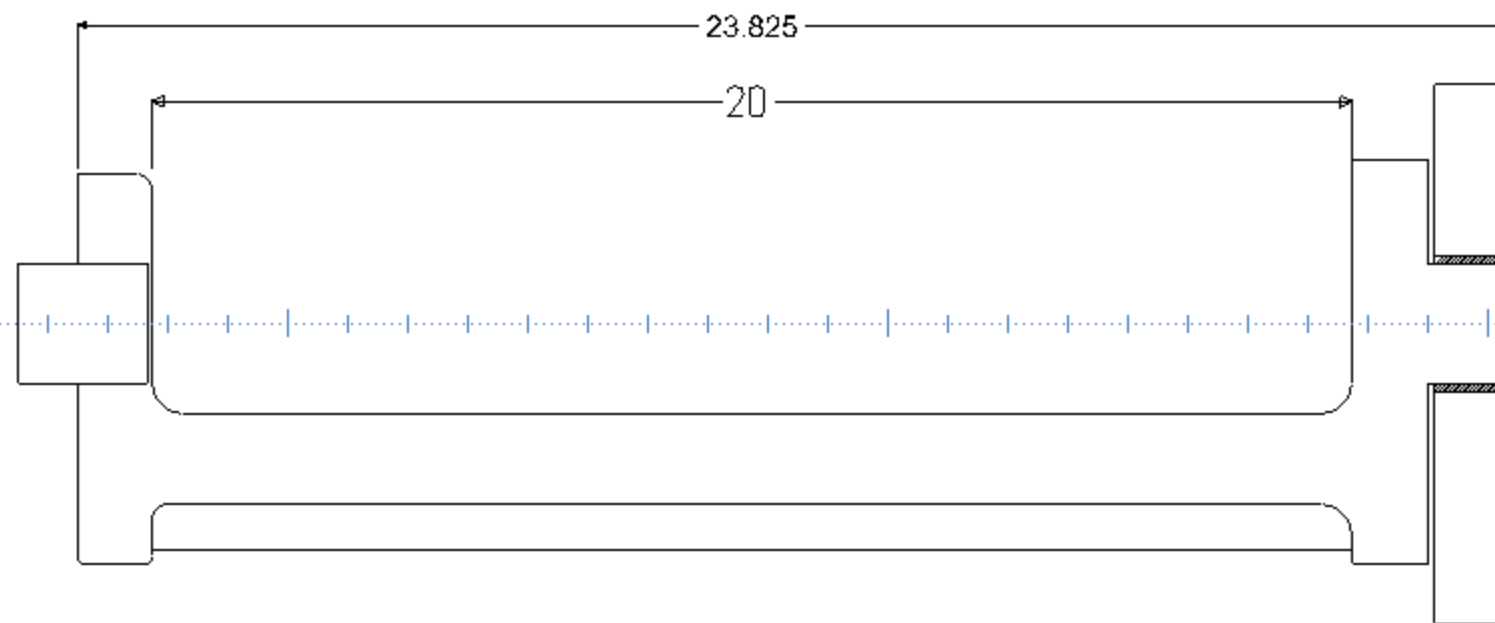
MARTIN MANUFACTURING
TrunnionTable.com
602 Main St.
Elsmere, Ky 41018

Material: class 35 cast iron

MARTIN MANUFACTURING STALLION 9/20/ROTARY MAKE/MODEL



Knub diameter -.001 from rotary table manufacturers published specs.



Outboard support made to customer's rotary table centerheight. Heavy wall bronze sleeve bearing with figure 8 grease groove and zirk fitting.