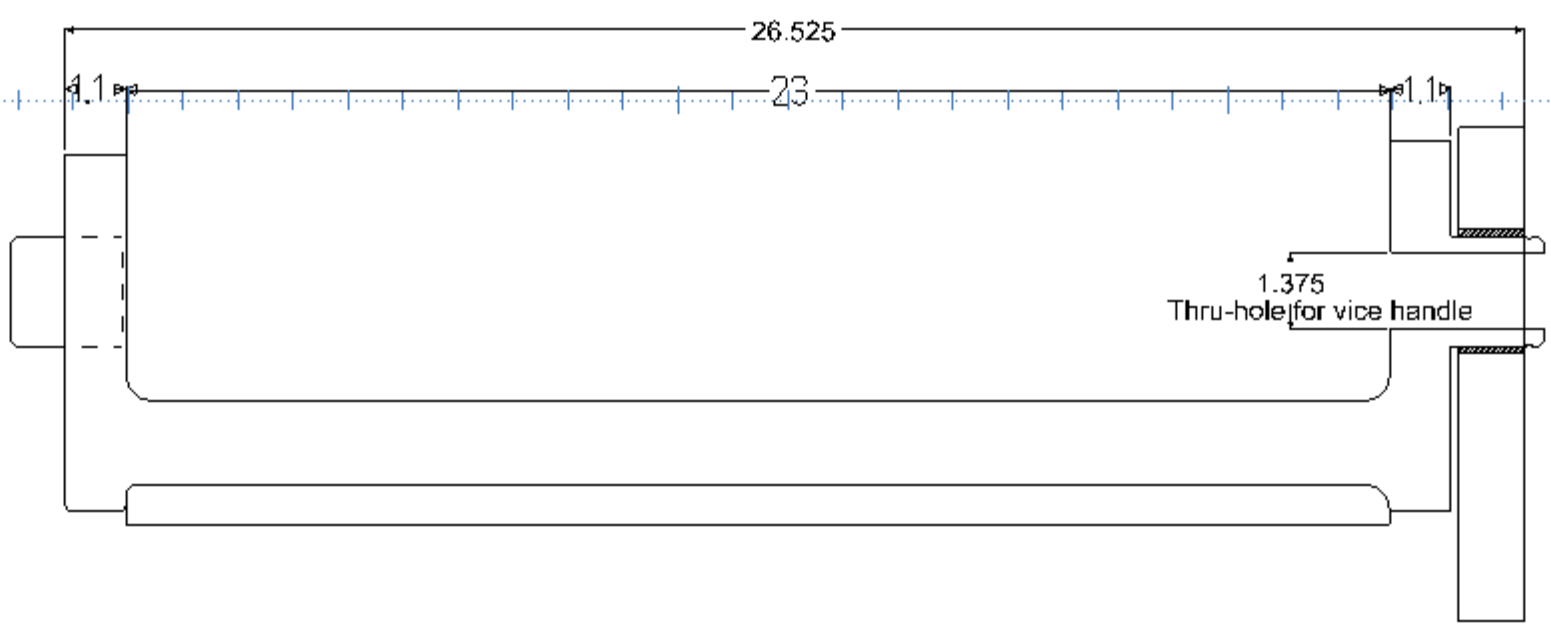
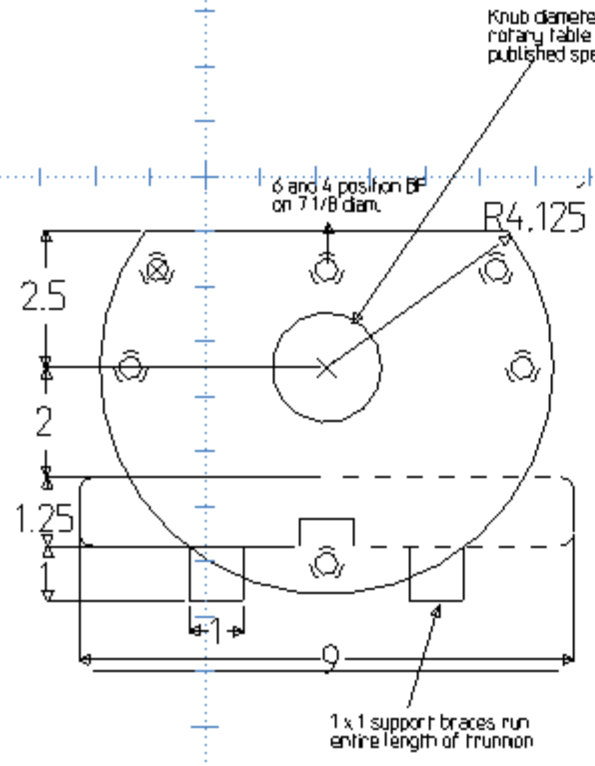
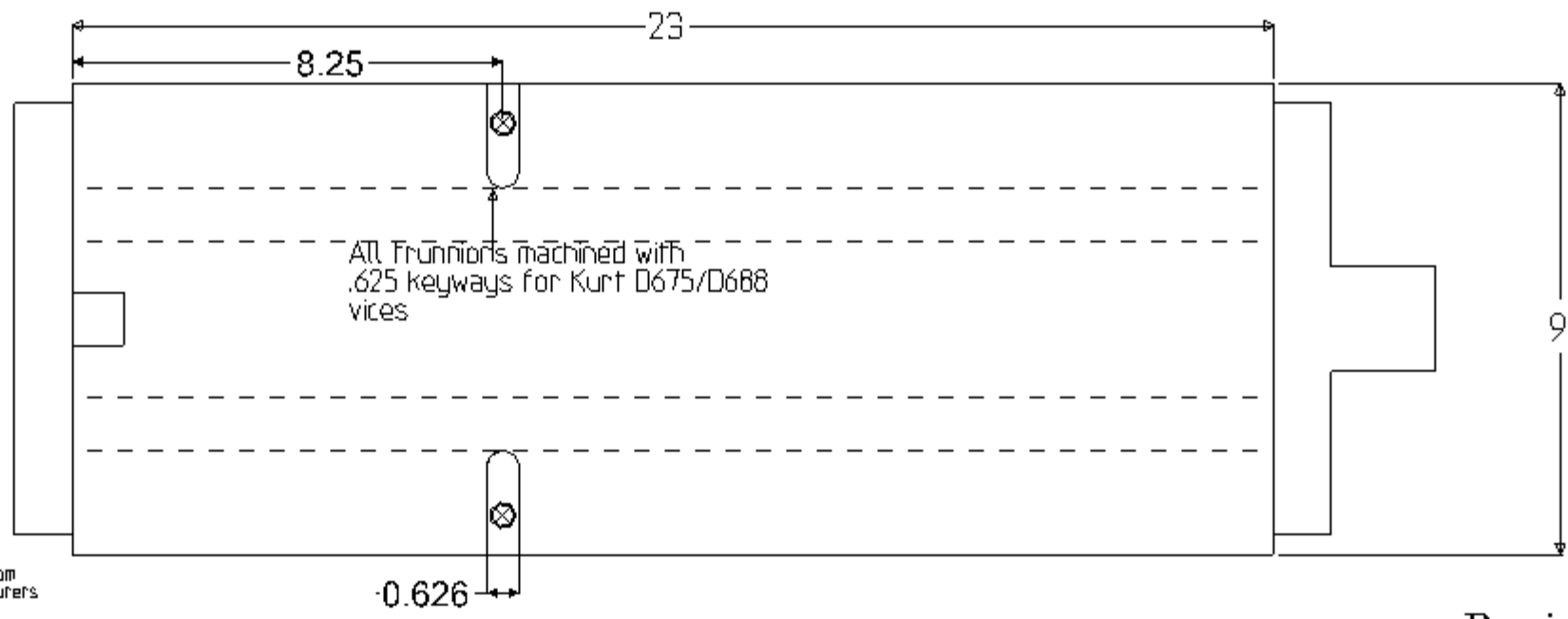


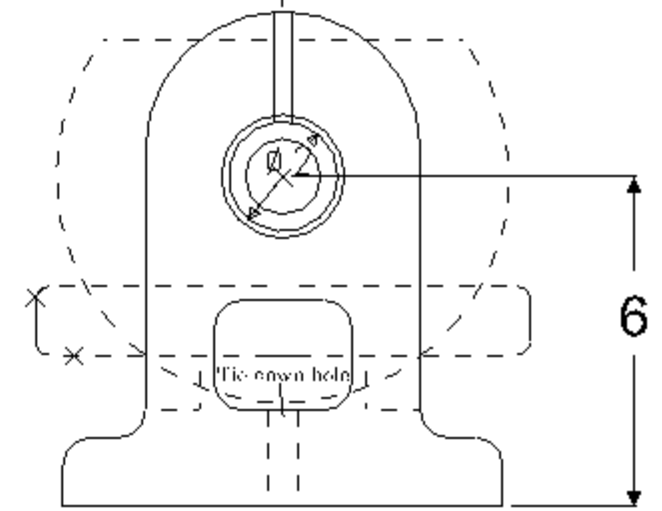
MARTIN MANUFACTURING, INC.
 TrunnionTable.com
 602 Main St.
 Elsmere, Ky 41018
 859-727-9900

Material: class 35 cast iron

MARTIN MANUFACTURING SERVICES, INC.
 STALLION TRUNNION 23"
 CLASS 35 CAST IRON



Precision bored sleeve bearing with .0001-.0002 clearance with grease fitting.



Outboard support customized to centerheight of customers rotary table/indexer within +/- .0005 of mfg. spec.